



# EG4® 24k Solar AC Mini Split

## 24000BTU AC/DC Air Conditioner/Heat Pump

**Plug-n-Cool  
Do-It-Yourself**

**New SEER2 Rating:  
21**

**5-Year Limited  
Warranty**

### New Plug-n-Cool Technology

#### Easy Do-It-Yourself Installation

Allows for quick and easy refrigerant line-set connection via the quick-connect self-closing companion valves without special tools, equipment, or training. No need to pull a vacuum.

### AC/DC Hybrid Power Inputs

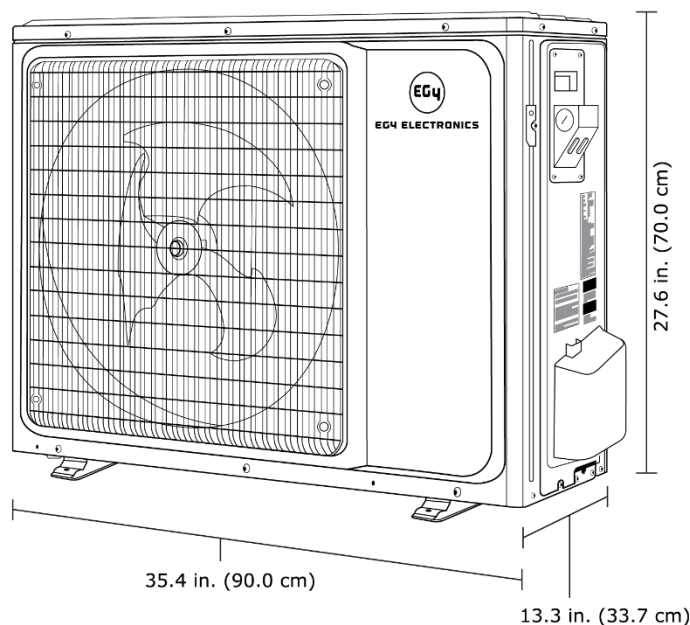
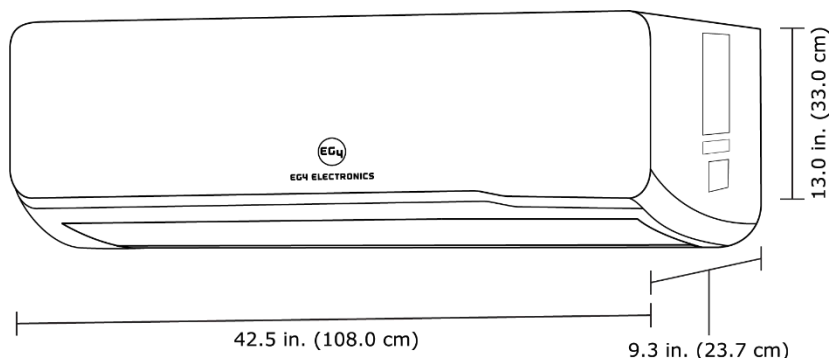
#### Direct Solar Input via MC4 Connectors

Power this solar AC mini split with solar panels attached directly to the outside unit and/or with 208-230VAC power. 100% daytime energy savings on sunny days when solar inputs are utilized.

### Over 24000BTU of Heating & Cooling Capacity

#### Heat & Cool up to 1,350 Square Feet

Get sophisticated air conditioning in large-sized rooms.





# EG4® 24k Solar AC Mini Split

## 24000BTU AC/DC Air Conditioner/Heat Pump

Electrical Specifications	
Rated Voltage	208VAC-230VAC   90VDC-380VDC
Rated Current	AC: 10.2A-9.2A   DC: 12A-5.53A
VOC of PV	≤380V
ISC of PV	≤12A
Frequency	60Hz
Minimum Circuit Ampacity	16.33A
Maximum Fuse Size	20A
Maximum Starting Current	6A
Rated Cooling	
Nominal Capacity	24,000 BTU/h
Capacity Range	6,100-25,200 BTU/h
Input Power	2050W
Rated Current	9.5A
EER	11.7
SEER2 (Seasonal Energy Efficiency Ratio 2)	21
Rated Heating	
Nominal Capacity	26,000 BTU/h
Capacity Range	6,100-26,000 BTU/h
Input Power	2200W
Rated Current	10.1A
COP	11.82 Btu/W
HSPF2 (Heating Seasonal Performance Factor 2)	9.6
System Data	
Design Pressure [PSI Gauge (PSIG)]	<651
Refrigerant	R410A/56.43 oz.
Refrigerant Pre-charge	16.4 ft.
Additional charge per ft	0.2 oz.
Liquid valve	0.25 in. (6.35mm)
Gas valve	0.5 in. (12.7mm)
Max refrigerant pipe length	82 ft.
Max difference in level	32 ft.



# EG4® 24k Solar AC Mini Split

## 24000BTU AC/DC Air Conditioner/Heat Pump

Compressor Specifications	
Type	2×Rotary
Input Power	1880W
Rated Load Amperage (RLA)	6.72A
Indoor Unit Data	
Output Power	45W
Rated Load Amperage (RLA)	0.48A
Speed (Turbo/5/4/3/2/1block)	1300/1200/1100/1050/950/900 r/min
Air Flow (Turbo/5/4/3/2/1block)	706/625/560/526/462/430 CFM
Sound Pressure (Turbo/5/4/3/2/1block)	50/48.5/45.5/43.5/41/39 dB(A)
Moisture Removal	4.5 pt/hr.
Indoor Unit Dimensions	
Unit Dimension (W×D×H)	42.5×9.3×13.0 in.
Packaging (W×D×H)	44.9×11.8×14.3 in.
Net/Gross weight	33.1/38.6 lbs.
Outdoor Unit Data	
Output Power	75W
Rated Load Amperage (RLA)	0.81A
Speed (Hi/Med/Lo)	850 r/min
Air Flow (Hi/Med/Lo)	1940 CFM
Sound Pressure (Hi/Med/Lo)	58 dB(A)
Outdoor Unit Dimensions	
Unit Dimension (W×D×H)	35.4×13.3×27.6 in.
Packaging (W×D×H)	39.6×16.5×29.7 in.
Net/Gross weight	102.5/114.6 lbs.
Operation Temperature	
Indoor (cooling/heating)	61-90/32-90 °F
Outdoor (cooling/heating)	32-131/5-86 °F
Accessories	
Control	Remote
Connection Cable	18AWG (4 Stranded)
Installation Copper Kit	16.4 ft.
Warranty	
Limited Warranty	5* year limited warranty

\*See [EG4® Warranty Registration](#) for terms and conditions