

# ChargePoint® Home Charging Station

## Specifications and Ordering Information

### Ordering Information

Specify model number followed by the applicable code(s).

Description		Order Code
Model	Hardwire, 16A, 12 RPH,* 3657 mm (12') cord	CPH12-L12
	Plug, 16A, 12 RPH, 3657 mm (12') cord	CPH12-L12-P
	Hardwire, 32A, 25 RPH, 5486.4 mm (18') cord	CPH25-L18
	Plug, 32A, 25 RPH, 5486.4 mm (18') cord	CPH25-L18-P
	Hardwire, 32A, 25 RPH, 7620 mm (25') cord	CPH25-L25
	Plug, 32A, 25 RPH, 7620 mm (25') cord	CPH25-L25-P
Replacement Cord	3657 mm (12'), 16A Charging Cord	CPH12CORD-L12-F
	5486.4 mm (18'), 32A Charging Cord	CPH25CORD-L18-F
	7620 mm (25'), 32A Charging Cord	CPH25CORD-L25-F

\*RPH: estimated, maximum miles of Range Per Hour the station can deliver



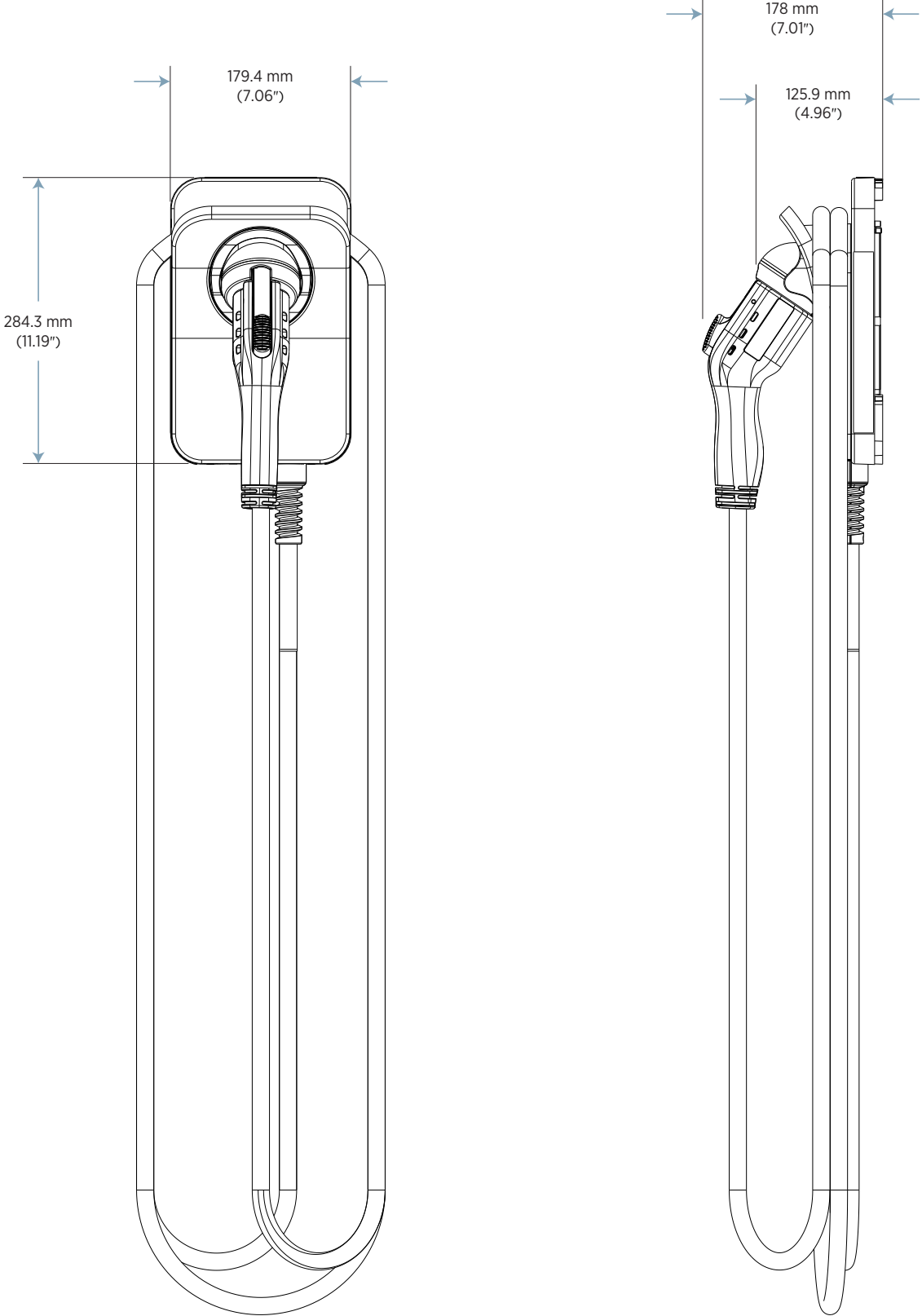
ChargePoint Home



The First  
**ENERGY STAR®**  
Certified EV Charger



# Dimensions



## Specifications

### Connector and Electrical

Input Cord	NEMA 6-50 (32A station) or NEMA 6-20 (16A station)
AC Power Output Rating	7.7kW (240V AC * 32A) or 3.8kW (240V AC * 16A).
AC Power Input Rating	208/240V AC 60Hz single phase @32A or 16A.
Required Service Panel Breaker	Dedicated Dual Pole 40A (32A station) or Dual Pole 20A (16A station)
Service Panel GFCI	Do not provide external GFCI as it may conflict with internal GFCI (CCID)
Power Wiring	3 Wire - L1, L2 plus Earth (no neutral)
Charging Cord Lengths and Amperages	7620 mm (25') 32A, 5486.4 mm (18') 32A and 3657 mm (12') 16A
Connector Type	SAE J1772™
Power Measurement Accuracy	+/- 2.0% from 2% to full scale (32A)
Power Report/Store Interval	15 minute aligned to hour

### Safety and Connectivity Features

Ground Fault Detection	20mA CCID with auto retry
Open Safety Ground Detection	Continuously monitors presence of safety (green wire) ground connection
Plug-Out Detection	Power terminated per SAE J1772 specifications
Local Area Network	2.4/5 GHz Wi-Fi (802.11 a/b/g/n)

### Safety and Operational Ratings

Enclosure Ratings	Type 3R per UL 50E
Safety and Compliance	UL and ULc listed product per UL2594, UL2231-1, UL2231-2. NEC Article 625 compliant
EMI Compliance	FCC Part 15 Class B
Storage Temperature	-40 to 60°C (-40 to 140°F) ambient
Operating Temperature	-30 to 50°C (-22 to 122°F) ambient
Operating Humidity	Up to 85% at 50°C (122°F) non-condensing
Non-Operating Humidity	Up to 95% at 50°C (122°F) non-condensing

### Indicators

WiFi LED	Yes
Fault Indicator per UL	Yes
Status LED	Yes




### Installation

Self Install Option	Yes
Install Software	Mobile App

ChargePoint, Inc. reserves the right to alter product offerings and specifications at any time without notice, and is not responsible for typographical or graphical errors that may appear in this document.

## Contact Us

To order your ChargePoint Home charging station:

-  Visit [chargepoint.com/home/order](https://chargepoint.com/home/order)
-  Call +1.408.705.1992
-  Email [sales@chargepoint.com](mailto:sales@chargepoint.com)



ChargePoint, Inc.  
254 E Hacienda Avenue | Campbell, CA | 95008-6617 USA  
+1.408.841.4500 or toll free +1.877.370.3802  
[chargepoint.com](https://chargepoint.com)

Copyright © 2017 ChargePoint, Inc. All rights reserved. CHARGEPOINT is a U.S. registered trademark/service mark, and an EU registered logo mark of ChargePoint, Inc. All other products or services mentioned are the trademarks, service marks, registered trademarks or registered service marks of their respective owners. DS-Home-06. December 2017. PN 73-001072-01-7.

Printed on paper made with 100% post-consumer fiber and 100% certified renewable energy, and processed chlorine free.

